

# GHBH Series

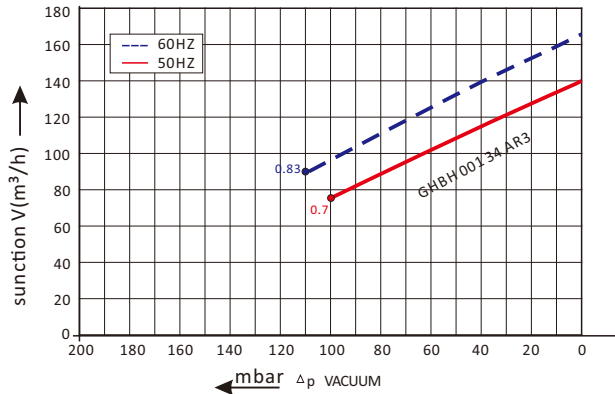
## GHBH 001 34 AR3

### Technical datasheet

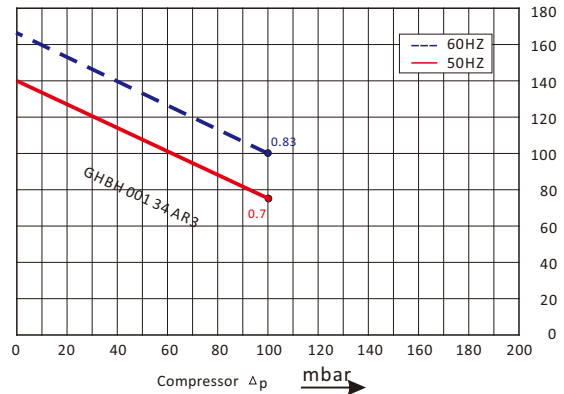


#### Goorui blower performance curves

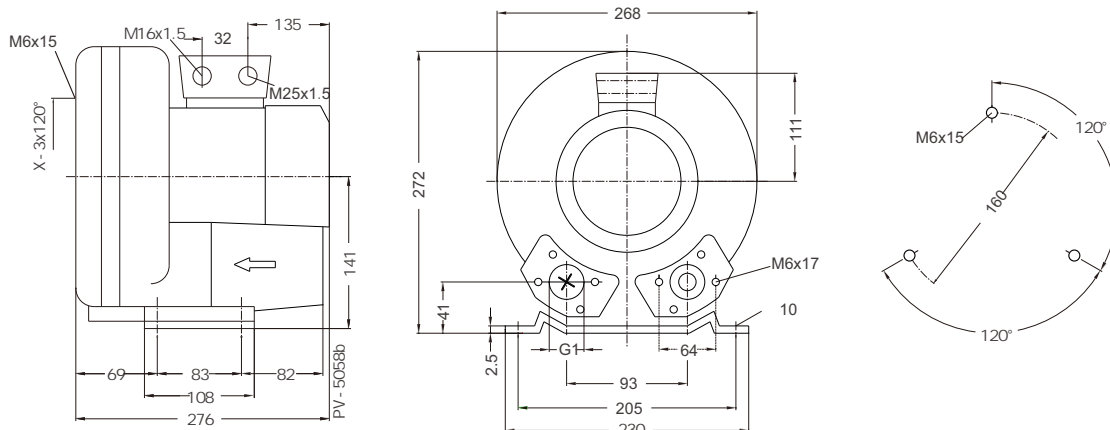
##### Vacuum selection diagram curve



##### Compressor selection diagram curve



#### Goorui blower installation drawing



#### Goorui blower parameter

Model	Frequency	Output	voltage	Current	airflow	pressure		noise	Weight
						vacuum	compressor		
	HZ	KW	V	A	m <sup>3</sup> /h	mbar	mbar	dB(A)	kg
<b>3~ 50/60Hz IP54 INSULATION class F</b>									
GHBH 001 34 AR3	50	0.7	200-240 Δ/345-415Y	3.8 Δ/2.2Y	140	-100	100	56	14
GHBH 001 34 AR3	60	0.83	220-275 Δ/380-480Y	3.75 Δ/2.15Y	165	-110	100	58	14

The performance curves of Goorui blower is tested through below ways:

Under one atmospheric pressure, suck 15°C air and then you can calculate the data, of course allow 10% difference, and when the sucked air and surroundings temperature are not higher than 25°C, you still can get total pressure difference as the curves shows.