

GHBG Series

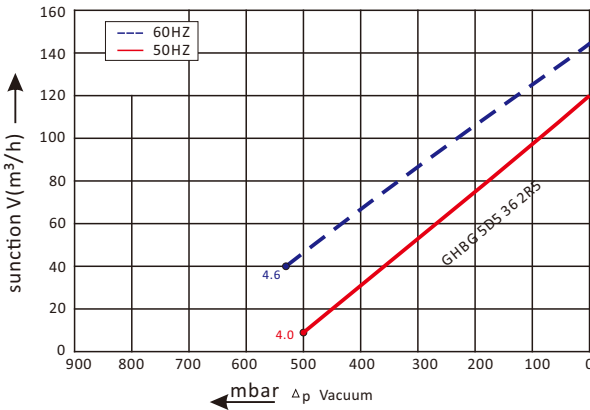
GHBG 5D5 36 2R5

Technical datasheet

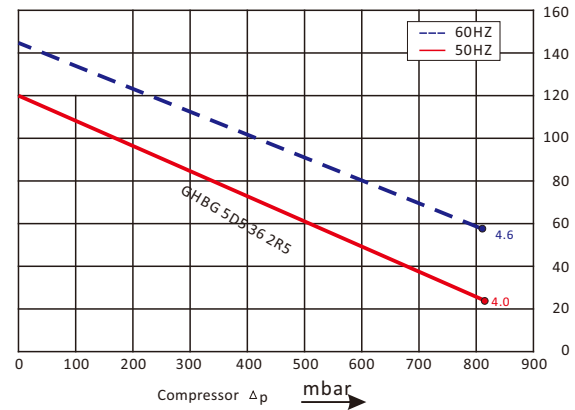


Goorui blower performance curves

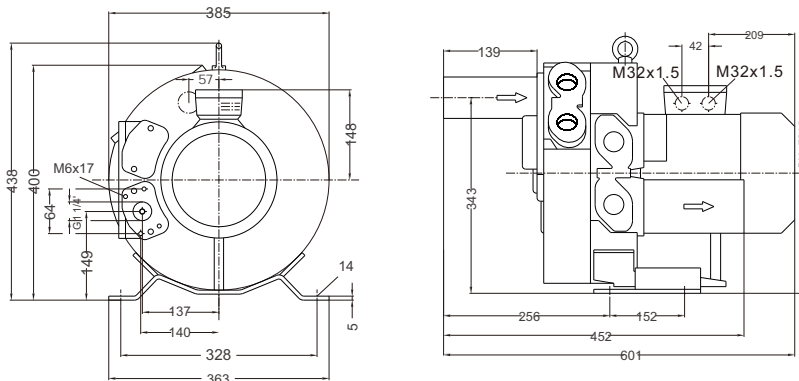
Vacuum selection diagram curve



Compressor selection diagram curve



Goorui blower installation drawing



Goorui blower parameter

Model	Frequency	Output	voltage	Current	airflow	pressure		noise	Weight
	HZ	KW	V		m³/h	vacuum mbar	compressor mbar		
3~ 50/60Hz IP54 INSULATION class F									
GHBG 5D5 36 2R5	50	4.0	345-415 Δ	9.0 Δ	120	-500	820	65	51
GHBG 5D5 36 2R5	60	4.6	380-480 Δ	9.5 Δ	145	-530	810	71	51

The performance curves of Goorui blower is tested through below ways:

Under one atmospheric pressure, suck 15°C air and then you can calculate the data, of course allow 10% difference, and when the sucked air and surroundings temperature are not higher than 25°C, you still can get total pressure difference as the curves shows.