

GHBG Series

GHBG 1D2 34 2R2

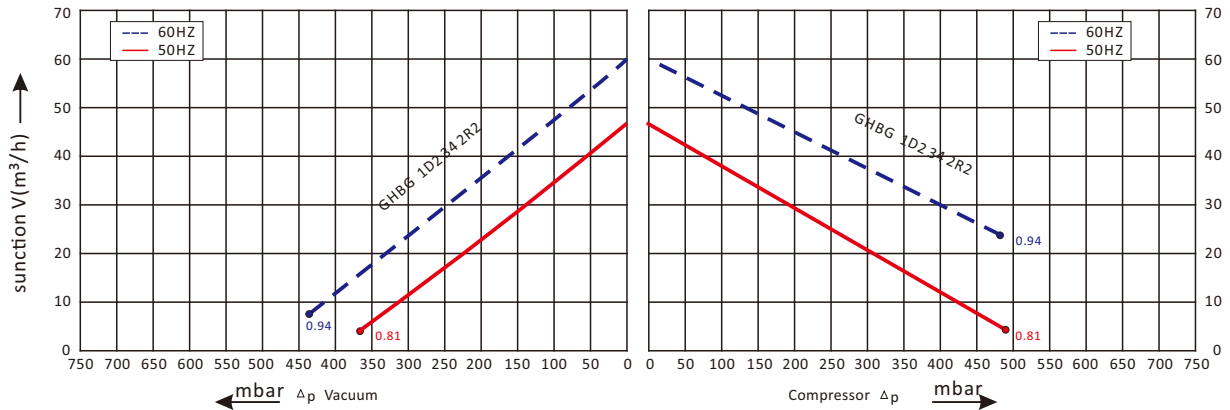
Technical datasheet



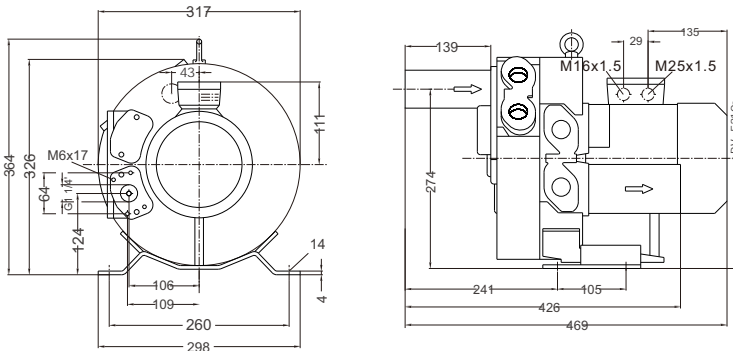
Goorui blower performance curves

Vacuum selection diagram curve

Compressor selection diagram curve



Goorui blower installation drawing



Goorui blower parameter

Model	Frequency	Output	voltage	Current	airflow	pressure		noise	Weight
						vacuum	compressor		
	HZ	KW	V	A	m ³ /h	mbar	mbar	dB(A)	kg
3~ 50/60Hz IP54 INSULATION class F									
GHBG 1D2 34 2R2	50	0.81	200-240 Δ/345-415Y	4.0 Δ/2.3Y	47	-370	490	58	24
GHBG 1D2 34 2R2	60	0.94	220-275 Δ/380-480Y	4.0 Δ/2.3Y	60	-440	480	62	24

The performance curves of Goorui blower is tested through below ways:

Under one atmospheric pressure, suck 15°C air and then you can calculate the data, of course allow 10% difference, and when the sucked air and surroundings temperature are not higher than 25°C, you still can get total pressure difference as the curves shows.