

GHBG Series

GHBG 003 34 2R5

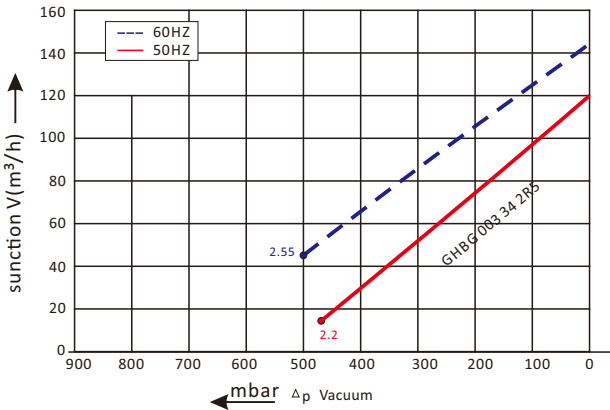


Technical datasheet

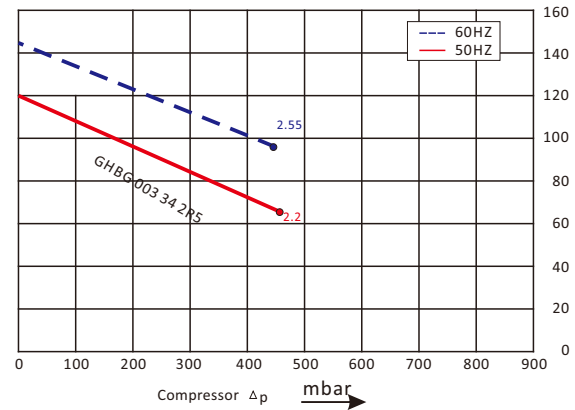


Goorui blower performance curves

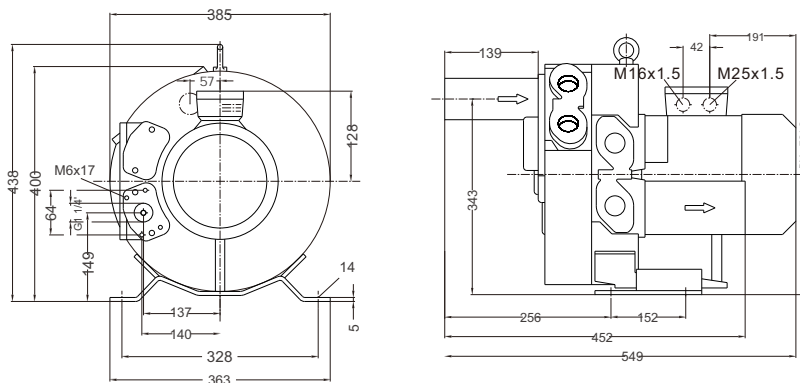
Vacuum selection diagram curve



Compressor selection diagram curve



Goorui blower installation drawing



Goorui blower parameter

Model	Frequency	Output	voltage	Current	airflow	pressure		noise	Weight
	Hz	KW	V		m³/h	vacuum mbar	compressor mbar		
3~ 50/60Hz IP54 INSULATION class F									
GHBG 003 34 2R5	50	2.2	200-240 Δ/345-415Y	11.4 Δ/6.6Y	120	-470	460	64	40
GHBG 003 34 2R5	60	2.55	220-275 Δ/380-480Y	11.2 Δ/6.5Y	145	-500	450	70	40

The performance curves of Goorui blower is tested through below ways:

Under one atmospheric pressure, suck 15°C air and then you can calculate the data, of course allow 10% difference, and when the sucked air and surroundings temperature are not higher than 25°C, you still can get total pressure difference as the curves shows.